



BEARINGS

AN ISO 9001:2015 Certified Company

A part that makes your work to go inflow

We are thankful

We truly appreciate your business, and we're grateful for the trust you've placed in us. Please don't hesitate to call us if ever a problem shall arise. We hope to have the pleasure of doing business with you for many years to come.



CONTACT US AT:

info@dtechbearing.com | www.dtechbearing.com
+91 98250 78365 | +91 90 9999 3739
Mavdi Bypass Main Road,
Soldier Bakery Street, Rajkot - 360004 (GUJ), India

www.dtechbearing.com

about

We are a notable and prominent Partnership firm which is engaged in manufacturing a wide range of , Taper Roller Bearing, Spherical roller bearing , NU Bearing, Single Row Bearing, Double Row Bearing & etc.

Our Background



1995 Established

Established in the year 1995 & located in the heart of bussiness hub at SHAPAR-VERAVAL (Rajkot-Gujarat).



Headship of Our Mentor

Under the headship of our mentor Mr. Dharmendra Patel , we have gained a noteworthy position in both, domestic as well as in international market.



Services

The striking feature of D-TECH bearing that makes it unique is that we provide superior quality bearings available at affordable prices with a gratification.

Who Is D-TECH

We D-Tech Bearing are a notable and prominent Partnership firm which is engaged in manufacturing a wide range of , Taper Roller Bearing, Spherical roller bearing , NU Bearing, Thin Walled, Thick Walled, King Pin, Bushes, Single Row Bearing, Double Row Bearing & etc.

What DO We DO

We ensures that customers get the value for their money and hence they don't get swindled. Secondly our endeavor has been to regale to the needs and wants of all our customers ; so to attain that , we provide customized bearings which stand in need according to the customers requirement. In addition to that D-Tech is first company that has it's own e-commerce website that allows clients to make order online with our D-Tech store which you can find on the header.

Manufacturing and Distribution

To manufacture a world class range of high-caliber products, we have synthesized the best equation at our production assembly To efficiently carry out various processes that enables us to meet the stringent quality standards. A highly skilled workforce of trained personnel make sure that every assignment goes through rigorous process of quality checks to finally deliver only the best to our clients.

range

D-Tech Bearing Has A Wide Spectra In Trucks & Busses Of Mercedes, Volvo, Scania, Man, Isuzu; Tractors And Earth Moving Vehicles.Predominantly We Focus On Our Expertise Items Such As :

- Tapered Roller Bearings
- Spherical Roller Bearings
- Cylindrical Roller Bearings
- Needle Roller Bearings
- Tapered Roller Thrust Bearings
- Thin walled Bearings
- Angular Contact Ball Bearing
- Deep Groove Ball Bearings
- Thrust Ball Bearing
- Connecting Rod Bushing
- King Pin Bushing
- Cam Bushing
- Steering Bushing
- Tie-Bar Bushing
- Cross Head Bushing
- Spring Bushes
- King Pin
- King Pin Repair Kits
- Torque Rod Kits
- V-Stay Repair Kits
- Camshaft Repair Kits
- S-Camshaft
- Spring Bolts
- Axle Nuts

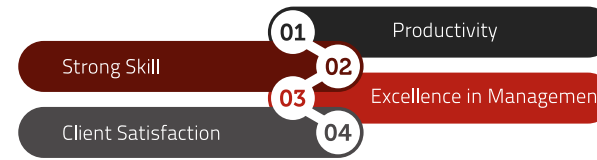
global footprint



Why Our Customers ?

We are the foremost company in this sector which is engaged in offering a qualitative and excellent quality range of products that we provide within given time frame. More than 25 years of delivering excellence. Constant product innovation. Total quality management. Best Product. Better Price. On-time delivery. All the time.

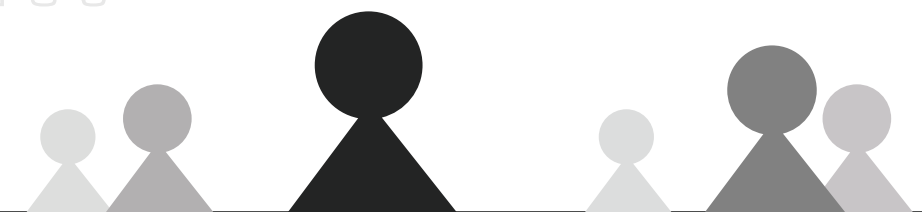
principle and ethos



CUSTOMER SERVICES



Quality Only Happens When you Care Enough To Do Your Best. that's our strength.



quality

For us, quality is not a sprint but a marathon. And we continuously endeavor to achieve the highest degree of results by constantly improving our processes and products. We are also highly careful about our services by adopting new-age methods of management while using time-tested traditions with equal enthusiasm. As the heart of our reputation is our Quality Department that has earned us great accolades and accreditation like IATF 16949:2016 and ISO 9001:2015 for the right reasons, Robust infrastructural base, Competent team of professionals, Client-oriented approach, Realistic price structure, Prompt delivery, Strong logistic support.

certificates

No concerns regarding Quality may arise as D-Tech maintains quality checks with highly equipped machineries and is ISO 9001:2015 and IATF 16949:2016 CERTIFIED COMPANY.

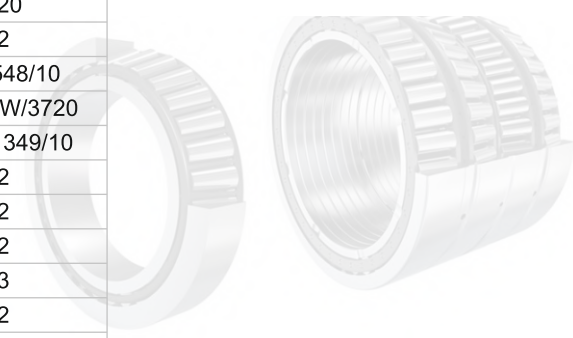


No.	Bearing No.
01	30204
02	30205
03	30206
04	30207
05	30208
06	30209
07	30210
08	30211
09	30212
10	30213
11	30214
12	30215
13	30216
14	30302
15	30304
16	30305
17	30306
18	30307
19	30308
20	30309
21	30310
22	30311
23	30312
24	31305 (21.25 mm)
25	31309
26	31312 L
27	32007
28	32008
29	32011
30	32012
31	32013
32	32014
33	32015
34	32016
35	32017
36	32018
37	32019
38	32020
39	32022
40	32205
41	32206
42	32207
43	32208
44	32209
45	32210
46	32211
47	32212
48	32213
49	32214
50	32215
51	32216
52	32217

No.	Bearing No.
53	32218
54	32219
55	32220
56	32222
57	32224
58	32226
59	32305
60	32306
61	32307
62	32308
63	32309
64	32310
65	32311
66	32312
67	32313
68	32314
69	33010
70	33011
71	33012
72	33013
73	33019
74	33111
75	33112
76	33116
77	33210
78	33211
79	33213
80	33215
81	02474/20
82	02872/20
83	09067/95
84	11590/20
85	LM 11949/10
86	12303
87	12435
88	M 12649/10
89	15100/250
90	15123/245
91	LM 1988/1922
92	24780/20
93	25572/20
94	25577/23
95	25580/20
96	25877/21
97	28580/21
98	28584/21
99	28985/21
100	29685/20
101	31594/20
102	320/332 X
103	331257
104	3659

No.	Bearing No.
105	368/362
106	369/362
107	37425/37625
108	3780/3720
109	387/382
110	3982/3920
111	3984/3920
112	414/418
113	42687/20
114	U 497/460
115	462/453
116	47487/20
117	482/472
118	LM 48548/10
119	CK50KW/3720
120	LM 501349/10
121	535/532
122	539/532
123	565/562
124	566/563
125	580/572
126	LM 57414/11
127	LM 603049/11
128	LM 67048/10
129	683/672
130	6379/6320
131	72212/487
132	77213 L
133	801346/10
134	HM 803149/10
135	HM 803146/10
136	804846/10
137	HM 86649/10
138	903249/10
139	L 44649/10
140	LM 102949/10
141	LM 104949/10
142	LM 104948/10
143	84548
144	M 88048
145	32212 X
146	32207 B
147	685/672
148	715334
149	715343
150	LM 716649
151	720249
152	506849/10
153	218248
154	800792
155	32022
156	33022

Tapered Roller Bearings



Ball Bearings

No.	Bearing No.
157	6004
158	6004 zz
159	6004 2rs
160	6005
161	6005 zz
162	6005 2rs
163	6006
164	6006 zz
165	6006 2rs
166	6007
167	6007 zz
168	6007 2rs
169	6008
170	6008 zz
171	6008 2rs
172	6009
173	6009 zz
174	6009 2rs
175	6010
176	6010 zz
177	6010 2rs
178	6011
179	6011 zz
180	6011 2rs
181	6012
182	6012 zz
183	6012 2rs
184	6013
185	6013 zz
186	6013 2rs
187	6200 zz
188	6200 2rs
189	6201
190	6201 zz
191	6201 2rs
192	6202
193	6202 zz
194	6202 2rs
195	6203
196	6203 zz
197	6203 2rs
198	6204
199	6204 zz
200	6204 2rs
201	6205
202	6205 zz
203	6205 2rs
204	6206
205	6206 zz
206	6206 2rs
207	6207
208	6207 zz

No.	Bearing No.
209	6207 2rs
210	6208
211	6208 zz
212	6208 2rs
213	6208 N
214	6209
215	6209 zz
216	6209 2rs
217	6209 N
218	6210
219	6210 zz
220	6210 2rs
221	6211
222	6211 zz
223	6211 2rs
224	6212
225	6212 zz
226	6212 2rs
227	6212 N
228	6213
229	6213 zz
230	6214
231	6214 zz
232	6215
233	6215 zz
234	6215 2rs
235	6216
236	6300 zz
237	6300 2rs
238	6301
239	6301 zz
240	6301 2rs
241	6302
242	6302 zz
243	6302 2rs
244	6303
245	6303 zz
246	6303 2rs
247	6304
248	6304 zz
249	6304 2rs
250	6305
251	6305 zz
252	6305 2rs
253	6306
254	6306 zz
255	6306 2rs
256	6306 N
257	6307
258	6307 zz
259	6307 2rs
260	6307 N

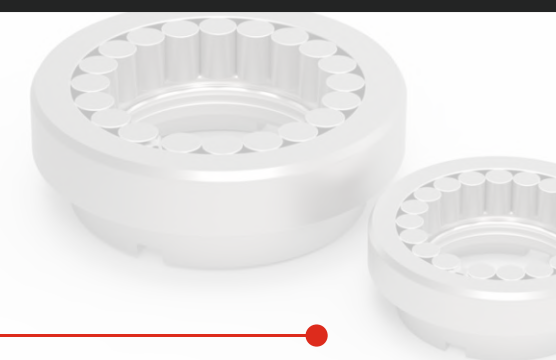
No.	Bearing No.
261	6308
262	6308 zz
263	6308 2rs
264	6308 N
265	6309
266	6309 zz
267	6309 2rs
268	6309 N
269	6310
270	6310 zz
271	6310 N
272	6311
273	6311 zz
274	6312
275	6312 zz
276	6313
277	6313 zz
278	6314
279	6014 zz
280	7013 MC
281	6022



D-TECH BEARINGS

Steering Bearings

With expertise in angular contact bearing technology, D-Tech offers a range of angular contact steering gear bearings for steering gearbox application



No.	Bearing No.
313	502365
314	509043
315	F-7 / W-19
316	INT-53

No.	Bearing No.
317	JB - 1003
318	STG - 72
319	S - 8

No.	Bearing No.
320	T - 101 TR
321	T - 119 TR
322	T - 126 TR
323	T - 128 TR
324	T - 138 TR
325	T - 144 TR
326	T - 151 TR
327	T - 63 SR
328	T - 77 TR
329	TB - 1007
330	AMW (329910)

Kingpin Bearing

Over the last five decades, the design and the technology has continuously being upgraded by D-Tech to meet the demanding operating environment in terms of sealing, Load carrying capability and enhanced life, We offer the kingpin bearing in various combination of the rolling element and varying design of sealing to provide extended life.



Cylindrical Roller Bearing

Other than the ISO specified standard Cylindrical & Centre bearings, there is often a requirement of non-standard Cylindrical & Centre bearings for transmission application for which D-tech has specialized in designing & development of these types of non-standard bearings.

No.	Bearing No.
331	NJ 207
332	NJ 2305 BR
333	NJ 305 ST
334	NJ 305 BR
335	NJ 309 ST
336	NF 309
337	NU 209 MN BR
338	NU 2209 MN BR
339	NU 307 MN BR
340	NU 309 N ST
341	NU 309 N BR

No.	Bearing No.
342	NUP 309 N ST
343	NUP 310 N ST
344	CFM 10 ST
345	CFM 10 BR
346	LO 64
347	CRL - 6
348	CRL - 8
349	RN - 206
350	RN - 312
351	6207 wos
352	6208 wos

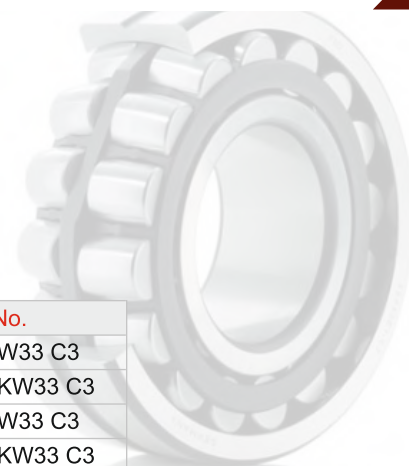
No.	Bearing No.
354	6211 WOS
355	6211 WOS (OE TYPE)
356	6011 WOS
357	88507 With Cov.
358	88507 C. B. Ass.
359	88508 With Cov.
360	88509 With Cov.
361	88509 C. B. Ass.
362	88511 With Cov.
363	88511 C. B. Ass.
364	88512 C. B. Ass.



D-TECH BEARINGS

Spherical Bearings

This is a unique and proprietary design of D-Tech Bearing for which we have designed it to withstand extreme load conditions and heavy impact loading during industrial operation, particularly in the Indian sub-continent.



No.	Bearing No.
365	22207 CW33 C3
366	22207 CKW33 C3
367	22208 CW33 C3
368	22208 CKW33 C3
369	22209 CKW33 C3
370	22210 CW33 C3
371	22211 CW33 C3
372	22211 CKW33 C3
373	22212 CW33 C3
374	22212 CKW33 C3
375	22213 CW33 C3
376	22213 CKW33 C3
377	22214 CW33 C3
378	22214 CKW33 C3
379	22215 CW33 C3
380	22215 CKW33 C3
381	22216 CW33 C3
382	22216 CKW33 C3
383	22217 CW33 C3
383	22217 CKW33 C3

No.	Bearing No.
384	22218 CW33 C3
385	22218 CKW33 C3
386	22219 CW33 C3
387	22219 CKW33 C3
388	22220 CW33 C3
389	22220 CKW33 C3
390	22222 CW33 C3
391	22222 CKW33 C3
392	22226 CW33 C3
393	22226 CKW33 C3
394	22308 CW33 C3
395	22308 CKW33 C3
396	22309 CW33 C3
397	22309 CKW33 C3
398	22310 CW33 C3
399	22310 CKW33 C3
400	22311 CW33 C3
401	22311 CKW33 C3
402	22312 CW33 C3
403	22312 CKW33 C3

No.	Bearing No.
404	22313 CW33 C3
405	22313 CKW33 C3
406	22314 CW33 C3
407	22314 CKW33 C3
408	22315 CW33 C3
409	22315 CKW33 C3
410	22316 CW33 C3
411	22316 CKW33 C3
412	22317 CW33 C3
413	22317 CKW33 C3
414	22318 CW33 C3
415	22318 CKW33 C3
416	22319 CW33 C3
417	22319 CKW33 C3
418	22320 CW33 C3
419	22320 CKW33 C3
420	22322 CW33 C3
421	22322 CKW33 C3
422	22324 CW33 C3
423	22324 CKW33 C3

Unit Bearing

No.	Bearing No.
424	UCP 204
425	UCP 205
426	UCP 206
427	UCP 207
428	UCP 208
429	UCP 209
430	UCP 210
431	UCP 211

No.	Bearing No.
432	UCP 212
433	UCP 213
434	UCP 214
435	UCP 215
436	UCP 216
437	UCP 217
438	UCP 218



ENGINE MODEL/ ITEM DESCRIPTION	PART NO. / REF. NO.	NO. OF PCS/SET	SHAFT DIAMETER STD		HOUSING BORE		LENGTH	WALL THICKNESS
			MINIMUM	MAXIMUM	MINIMUM	MAXIMUM		
ANDORIA								
ANDORIA S320/ S321								
C.R.BEARING [THICK]					85.979		64.008	2.946
C.R.BEARING [THIN]			79.971	79.990	85.000	85.035	55.000	2.475
BEDFORD								
BEDFORD J6								
C. R. BEARING	B6387SA	12	60.300	60.325	63.995	64.008	31.800	1.800
MAIN BEARING [FRONT]	M7228SA	2	69.837	69.850	74.079	74.092	34.470	2.080
MAIN BEARING [CENTER]		2	69.837	69.850	74.079	74.092	35.310	2.080
MAIN BEARING [INTERMEDIATE]		8	69.837	69.850	74.079	74.092	27.130	2.080
MAIN BEARING [REAR]		2	69.837	69.850	74.079	74.092	31.120	2.080
THRUST WASHER	2208L	4						
C. R. BUSH	511	6	34.912	34.925	38.100	38.125	35.050	1.580
STEERING BUSH	511	2	40.890	40.920			36.700	1.450
KING PIN BUSH	511	4	38.180	38.200			36.830	1.730
CUMMINS								
CUMMINS LT10 / M11								
C.R.BEARING	3016760	12	78.990	79.010	83.990	84.010	42.210	2.469
MAIN BEARING	4025125 , 3801150	14	114.020	114.050	121.990	121.010	36.620	3.939
THRUST WASHER	4023203(2 Pcs) + 4023083(2 Pcs)	4						
C. R. BUSH	3896894	6						
CUMMINS 4BT								
C.R.BEARING	3901170	8	68.990	69.010	72.990	73.010	31.130	1.968
MAIN BEARING	3802010 , 4955855	8	82.990	83.010	87.980	88.010	29.030	2.464
MAIN BEARING		2	82.990	83.010	87.980	88.010	37.348	2.464
THRUST WASHER	3926723	4						
C.R.BUSH	4891178	4	40.000		42.990	43.010	38.100	
CAMSHAFT BUSH	3901306							
CUMMINS 6BT								
C.R.BEARING	3901170	12	68.990	69.010	72.990	73.010	31.130	1.968
MAIN BEARING	3802010 , 4955855	12	82.990	83.010	87.980	88.010	29.030	2.464
MAIN BEARING		2	82.990	83.010	87.980	88.010	37.348	2.464
THRUST WASHER	3926723	4						
C.R.BUSH	4891178	6	40.000		42.990	43.010	38.100	
CAMSHAFT BUSH	3901306							
CUMMINS 6 CT								
C.R.BEARING	3950661 , 3901430	12	75.990	76.010	80.990	81.010	38.120	2.468
MAIN BEARING	3945917	12	98.990	98.010	104.980	105.020	34.110	3.454
MAIN BEARING		2	98.990	98.010	104.980	105.020	42.810	3.454
C.R.BUSH	3913990	6	45.000		48.990	49.010	44.750	
CAMSHAFT BUSH	3945329 , 5283368	7	55.990	60.010	63.990	64.010	25.250	1.965
DEUTZ FL 912								
C. R. BEARING	2137750		59.941	59.960	64.000	64.019	25.000	2.000
MAIN BEARING	3362379		69.971	69.990	74.500	74.519	27.000	2.229
THRUST WASHER	4236912		79.000	79.300	94.614	94.964		2.985
C. R. BUSH			34.995	35.000	38.000	38.016	33.800	1.487
FORD								
FORD 2000 , 3000 , 4000 (3 CYL)								
C.R.BEARING	B3047SA , 3XDFFN6211G	6						
MAIN BEARING	M4218SA , 3XCFFN6333D	8						
C. R. BUSH	C5NE6207A	3	41.400	41.430			40.640	1.780
CAMSHAFT BUSH	C4078S	4						
FORD 5000 (4 CYL)								
C.R.BEARING	4XDFFN6211B	8	69.840	69.860	74.727	75.108	35.560	2.408
MAIN BEARING	4XCFFN6333B	8	85.634	85.654	92.055	92.075	28.190	3.180

ENGINE MODEL/ ITEM DESCRIPTION	PART NO. / REF. NO.	NO. OF PCS/SET	SHAFT DIAMETER STD		HOUSING BORE		LENGTH	WALL THICKNESS
			MINIMUM	MAXIMUM	MINIMUM	MAXIMUM		
MAIN BEARING FLANGE		2	85.634	85.654	92.055	92.075	36.960	3.180
CAMSHAFT BUSH	C5051S	5						
FORDSON MAJOR (4 CYL)								
C.R.BEARING		8						
MAIN BEARING		10						
C.R. BUSH	EIADDN6207		31.880	31.900			18.800	1.650
FORD BUSHES								
FORD BUSHES								
Cam Shaft Bush	C5NE6261A		64.54	64.57			19.05	2.08
Front Axle Bush	C5NN3153A				54		52.324	2.997
Bush Upper	C5NN3110B				40.538		37.846	1.524
Hyd. Lift Shaft Bush	E2NN531AA							
Bush Lower	C5NN3110A		50.88	50.9	50.825		47.498	3.023
Support Bush Lower	C5NN3179A							
Bush Upper	C5NN3109A		50.88	50.9			47.37	4.47
Spindle Bush	C5NN3N654B							
Brake Shaft Bush	C5NN2N477A		31.85	31.88			25.4	1.52
Brake Pedal Bush	C5NN2461D							
Support Bush Upper	C5NN3179B							
C.R. Bush	C5NN7A615A		30.28	30.3			39.12	0.76
LOMBARDINI								
LOMBARDINI LDA 75/80/450/451								
C.R.BEARING	KL 1069 SA		41.987	42.000	45.698	45.710	27.000	1.835
LOMBARDINI LDA 360/500/505								
C.R.BEARING	KL 1068 SA ,500164036		39.990	40.000	43.657	43.670	21.000	1.814
MAIN BEARING BUSH GEAR END	500161062		43.980	44.020			24.740	2.020
MAIN BEARING BUSH FLYWHEEL END	500161061		43.980	44.020			29.740	2.020
MERCEDES								
MERCEDES OM314								
C.R.BEARING	71-3572/4	8	59.990	60.015	65.000	65.019	29.400	2.472
MAIN BEARING	H712/5	10	87.990	88.010	93.000	93.022	24.100	2.477
MAIN BEARING FLANGE							31.800	
CON ROD BUSH	55-2535	4	36.000		39.000	39.025	34.500	
CAMSHAFT BUSH	N122/3L	1	55.691	55.710	60.000	60.030	26.000	
		1	55.441	55.460	60.000	60.030	26.000	
		1	55.191	55.210	60.000	60.030	26.000	
MERCEDES OM352								
C.R.BEARING	71-3572/6	12	59.990	60.015	65.000	65.019	29.400	2.472
MAIN BEARING	H712/7	14	87.990	88.010	93.000	93.022	24.100	2.477
MAIN BEARING FLANGE							31.800	
CON ROD BUSH	55-2535	6	36.000		39.000	39.025	34.500	
CAMSHAFT BUSH	N049/4	1	55.941	55.960	60.000	60.030	26.000	2.102
		1	55.691	55.710	60.000	60.030	26.000	2.137
		1	55.441	55.460	60.000	60.030	26.000	2.262
		1	55.191	55.210	60.000	60.030	26.000	2.387
MERCEDES OM355								
C.R.BEARING	71-2549/6	12	77.980	78.000	83.000	83.022	41.800	2.468
MAIN BEARING	H818/7	14	94.980	95.000	100.000	100.022	35.200	2.470
MAIN BEARING FLANGE					102.000	102.022	64.800	3.470

ENGINE MODEL/ ITEM DESCRIPTION	PART NO. / REF. NO.	NO. OF PCS/SET	SHAFT DIAMETER STD		HOUSING BORE		LENGTH	WALL THICKNESS
			MINIMUM	MAXIMUM	MINIMUM	MAXIMUM		
CON ROD BUSH	55-2538	6	47.993	48.000	52.000	52.030	45.000	
CAMSHAFT BUSH	N082/7	1	53.851	53.870	58.000	58.030	33.000	
		3	53.751	53.770	58.000	58.030	30.000	
		1	53.651	53.670	58.000	58.030	55.000	
		1	53.451	53.470	58.000	58.030	30.000	
		1	53.251	53.270	58.000	58.030	30.000	
MERCEDES OM360								
C.R.BEARING	71-2811/6	12	71.980	72.000	77.000	77.019	35.100	2.476
MAIN BEARING	H809/7	14	97.980	98.000	104.000	104.022	28.500	2.975
MAIN BEARING FLANGE							41.800	
MERCEDES OM364								
C.R.BEARING	71-3572/4	8	59.990	60.015	65.000	65.019	29.400	2.472
MAIN BEARING	H048/5	10	87.990	88.010	93.000	93.022	24.100	2.477
MAIN BEARING FLANGE							31.800	
CON ROD BUSH	55-2535	4	36.000		39.000	39.025	34.500	
CAMSHAFT BUSH		1	55.691	55.710	60.000	60.030	26.000	
		1	55.441	55.460	60.000	60.030	26.000	
		1	55.191	55.210	60.000	60.030	26.000	
MERCEDES OM366								
C.R.BEARING	71-3572/6	8	59.990	60.015	65.000	65.019	29.400	2.472
MAIN BEARING	H048/7	10	87.990	88.010	93.000	93.022	24.100	2.477
MAIN BEARING FLANGE							31.800	
CON ROD BUSH	55-2535	6	36.000		39.000	39.025	34.500	
CAMSHAFT BUSH		1	55.941	55.960	60.000	60.030	26.000	
		1	55.691	55.710	60.000	60.030	26.000	
		1	55.441	55.460	60.000	60.030	26.000	
		1	55.191	55.210	60.000	60.030	26.000	
MERCEDES OM401/ 421/441								
C.R.BEARING	71-3009	12	89.980	90.000	95.000	95.022	31.000	2.473
MAIN BEARING	H821/5	8	103.980	104.000	111.000	111.022	30.500	3.472
MAIN BEARING FLANGE							37.810	
CON ROD BUSH	55-2862	6	45.995	46.000	50.600	50.630	38.700	
							24.900 /	
CON ROD BUSH (TAPER)	55-3328	6	45.995	46.000	50.600	50.630	38.700	
CAMSHAFT BUSH	N110/4	1	69.910	69.940	76.000	76.030	35.000	3.012
		3	69.910	69.940	75.000	75.030	28.000	2.492
MERCEDES OM402/422/442								
C.R.BEARING	71-3009	16	89.980	90.000	95.000	95.022	31.000	2.473
MAIN BEARING	H821/5	10	103.980	104.000	111.000	111.022	30.500	3.472
MAIN BEARING FLANGE							37.810	
CON ROD BUSH	55-2862	8	45.995	46.000	50.600	50.630	38.700	
							24.900 /	
CON ROD BUSH (TAPER)	55-3328	8	45.995	46.000	50.600	50.630	38.700	
CAMSHAFT BUSH	N110/5	1	69.910	69.940	76.000	76.030	35.000	3.012
		4	69.910	69.940	75.000	75.030	28.000	2.492
MERCEDES OM403/423/443								
C.R.BEARING	71-3009	20	89.980	90.000	95.000	95.022	31.000	2.473
MAIN BEARING	H821/5	12	103.980	104.000	111.000	111.022	30.500	3.472
MAIN BEARING FLANGE							37.810	
CON ROD BUSH	55-2862	10	45.995	46.000	50.600	50.630	38.700	
							24.900 /	
CON ROD BUSH (TAPER)	55-3328	10	45.995	46.000	50.600	50.630	38.700	
CAMSHAFT BUSH	N110/6	1	69.910	69.940	76.000	76.030	35.000	3.012

ENGINE MODEL/ ITEM DESCRIPTION	PART NO. / REF. NO.	NO. OF PCS/SET	SHAFT DIAMETER STD		HOUSING BORE		LENGTH	WALL THICKNESS
			MINIMUM	MAXIMUM	MINIMUM	MAXIMUM		
MERCEDES OM404/424/444		5	69.910	69.940	75.000	75.030	28.000	2.492
C.R.BEARING	71-3009	24	89.980	90.000	95.000	95.022	31.000	2.473
MAIN BEARING	H821/5	14	103.980	104.000	111.000	111.022	30.500	3.472
MAIN BEARING FLANGE							37.810	
CON ROD BUSH	55-2862	12	45.995	46.000	50.600	50.630	38.700	
CON ROD BUSH (TAPER)	55-3328	12	45.995	46.000	50.600	50.630	24.900 / 38.700	
CAMSHAFT BUSH	N110/6	1	69.910	69.940	76.000	76.030	35.000	3.012
		6	69.910	69.940	75.000	75.030	28.000	2.492

MASSEY FERGUSON

ENGINE MODEL/ ITEM DESCRIPTION	PART NO. / REF. NO.	NO. OF PCS/SET	SHAFT DIAMETER STD	HOUSING BORE	LENGTH	WALL THICKNESS
MASSEY FERGUSON						
Steering Bush	190560M1					
Axle Bush	1660457					
Brake Bush Small	180801M1					
Centr Pin Bush	1675908					
Hyd. Lift Arm	1870934M1					
Steering Bush	1850517					
Centre Pin Bush	1660114M1					
Oil Pump Bush	1865012					
C. R. Bush	31134131					
Brake Bush Big	195910M1					
Cam Shaft Bush	31134132					
PTO Bush	532883					
Cross Shaft Bush	3611558					
C. R. Bush	31134151					
PTO Shaft Bush	180461					
Clutch Bush	184592					
C. R. Bush	31134123					
C. R. Bush	3112A005					
Spindle Bush	183086M1					
Oil Pump Bush	1664491M2					
Steering Bush	897235M1					
Stub Axle Bush	180345M1					
Stub Axle Bush	882327					
CENTER PIN BUSH	897712 M2					

PERKINS

ENGINE MODEL/ ITEM DESCRIPTION	PART NO. / REF. NO.	NO. OF PCS/SET	SHAFT DIAMETER STD	HOUSING BORE	LENGTH	WALL THICKNESS
PERKINS 3.152						
C.R.BEARING	85036	6				
MAIN BEARING	68084 , U5MB0036	8				
THRUST WASHER	31137211 / 31137221	4				
C. R. BUSH	31134151	3				
PERKINS 4.192/4.203						
C.R.BEARING	85036	8	57.111	57.124	60.833	60.845
MAIN BEARING (SET OF 10 PCS)	68084 , U5MB0036	2	69.812	69.825	74.079	74.105
		4	69.825	69.84	74.07	74.091
		4	69.812	69.825	74.079	74.105
C. R. BUSH	31134151	1				
THRUST WASHER	31137211 / 31137221	4				
PERKINS 4.212/4.236 / 4.248 / 1004.4						
C.R.BEARING	85042	8	63.475	63.487	67.208	67.221
MAIN BEARING (SET OF 10 PCS)	81558 , U5MB0034	8	76.162	76.175	80.416	80.441

ENGINE MODEL/ ITEM DESCRIPTION	PART NO. / REF. NO.	NO. OF PCS/SET	SHAFT DIAMETER STD		HOUSING BORE		LENGTH	WALL THICKNESS
			MINIMUM	MAXIMUM	MINIMUM	MAXIMUM		
		2					36.7	
THRUST WASHER	31137551/31137561	4	86.87	87.12	103.85	104.1		2.31
C. R. BUSH	31134123	4						
PERKINS 6.354								
C.R.BEARING	85043	12	63.475	63.487	67.208	67.221	31.88	1.841
MAIN BEARING	68079	14	76.162	76.175	80.416	80.441	31.88	
							36.7	
THRUST WASHER	31137551 / 31137561	4	86.87	87.12	103.85	104.1		2.31
C. R. BUSH	31134131	6						
PERKINS 4.318								
C.R.BEARING	85041	8						
MAIN BEARING	68085	10						
THRUST WASHER	31137551 / 31137561	4						
C. R. BUSH	0050128 , 731463	4						
PERKINS 1104								
C.R.BEARING	U5ME0013	8						
MAIN BEARING	U5MB0018	10						
THRUST WASHER	31137551 / 31137561	4	86.87	87.12	103.85	104.1		2.31
C. R. BUSH	3112E011	4						
PERKINS 1006.6								
C.R.BEARING	U5ME0003	12	63.475	63.487	67.208	67.221	31.88	1.841
MAIN BEARING	U5MB0007	14	76.162	76.175	80.416	80.441	31.88	
							36.7	
THRUST WASHER	31137551 / 31137561	4	86.87	87.12	103.85	104.1		2.31
C. R. BUSH	3112E011	6						

ROMANIA

ENGINE MODEL/ ITEM DESCRIPTION	PART NO. / REF. NO.	NO. OF PCS/SET	SHAFT DIAMETER STD	HOUSING BORE	LENGTH	WALL THICKNESS
ROMANIA UTB650						
C.R.BEARING	10303124	8	79.000	79.020		39.250
MAIN BEARING	10301090	4	90.000	90.020		31.750
MAIN BEARING	10301090	6	90.000	90.020		45.750
THRUST WASHER	103268	4				
C. R. BUSH	11803109	6	44.250	44.270		37.210

SCANIA

ENGINE MODEL/ ITEM DESCRIPTION	PART NO. / REF. NO.	NO. OF PCS/SET	SHAFT DIAMETER STD	HOUSING BORE	LENGTH	WALL THICKNESS
SCANIA DS8						
C.R.BEARING	71-3191/6	12				
MAIN BEARING	H987/7	14				
THRUST WASHER		4				
C. R. BUSH		6				
SCANIA D11/DS11						
C.R.BEARING	VPR747 , 71-4237/6	12	84.233	84.255	88.483	88.505
MAIN BEARING	VPM748 , H1059/7	14	101.598	101.62	106.262	106.284
						44
THRUST WASHER	A216/4	4	112.65	113.03	132.5	132.9
C. R. BUSH	55-4240	6	49.995	50	53.8	53.83
CAM BUSH	N197/4	1	68.136	68.155	71.438	71.488
		2				30.4
		1	59.951	59.97	63.475	63.525
SCANIA DS12						
C.R.BEARING	71-4860	12	86.978	87	91.23	91.252
MAIN BEARING	72-4072	14	107.978	108	112.2	112.222
THRUST WASHER	A232/4	4	118.65	119	143.7	144.1
C. R. BUSH	55-4544	6	53.995	54	57.8	57.83
CAM BUSH	N173/7	7	84.93	84.95	89	89.022

ENGINE MODEL/ ITEM DESCRIPTION	PART NO. / REF. NO.	NO. OF PCS/SET	SHAFT DIAMETER STD		HOUSING BORE		LENGTH	WALL THICKNESS
			MINIMUM	MAXIMUM	MINIMUM	MAXIMUM		
VOLVO								
VOLVO TD50 / TD60								
C.R.BEARING	VPR436	12	63.449	63.462	67.323	67.336	34	1.902
MAIN BEARING	VPM91862	14	76.149	76.162	81.051	81.076	26.5	2.413
THRUST WASHER	VPW19	4						
C.R.BUSH (PLAIN TYPE)		6						
VOLVO TD70								
C.R.BEARING	VPR410	12	69.837	69.85	73.74	73.753	37.1	1.912
MAIN BEARING	VPM91292	14	82.535	82.55	88.483	88.508	30.6	2.935
THRUST WASHER	VPW18	4						
C.R.BUSH (PLAIN TYPE)		6						
VOLVO TD100								
C.R.BEARING	71-1227/6	12	86.001	86.017	90.914	90.94	45.7	2.418
MAIN BEARING	H842/7	14	99.977	100	104.978	105.003	37.3	2.451
THRUST WASHER	A122/4	4	108.45	108.71	131.92	131.67	2.362	
C.R.BUSH (PLAIN TYPE)	55-3509	6	52	52.004	57.3	57.346	45.85	2.77
VOLVO TD120/TD121								
C.R.BEARING	71-4236/6	12	92.028	92.043	96.835	96.85	46.2	2.362
MAIN BEARING	H1053/7	14	107.915	107.937	113.04	113.065	37.1	2.515
THRUST WASHER	A131/4	4	116.66	117.094	139.929	139.68	3.213	
C.R.BUSH (PLAIN TYPE)	55-4594	6	54.992	55	60.3	60.346	47.6	
YANMAR								
YANMAR TS50 ,NS40, TH3								
C.R.BEARING					43.002		19.05	1.498
MAIN BEARING [THIN]					46.075		24.511	1.981
MAIN BEARING [THICK]					50.012		27.482	3.987
THRUST WASHER								
CON ROD BUSH					23.114		24.892	0.939
YANMAR TS60, NS50, TH4								
C.R.BEARING					45.008		20.955	1.473
MAIN BEARING [THIN]					48.107		24.993	1.981
MAIN BEARING [THICK]					52.044		27.482	3.987
THRUST WASHER								
CON ROD BUSH					24.993		27.94	1.016
YANMAR TS70 ,TS80								
C.R.BEARING					47.015		25.908	1.498
MAIN BEARING [THIN]					55.041		25.908	2.514
MAIN BEARING [THICK]					58.039		28.981	3.987
THRUST WASHER								
CON ROD BUSH					29.006		29.464	1.498
YANMAR TS105								
C.R.BEARING					49.016		27.9	1.498
MAIN BEARING [THIN]					57.048		27.559	2.514
MAIN BEARING [THICK]					60.045		29.997	3.987
THRUST WASHER								
CON ROD BUSH					30.988		30.988	1.496
YANMAR TS130								
C.R.BEARING					53.019		29.997	1.498
MAIN BEARING [THIN]					61.019		29.972	2.48
MAIN BEARING [THICK]					66.03		33.02	4.985
THRUST WASHER								
CON ROD BUSH					32.994		31.699	1.498

ENGINE MODEL/ ITEM DESCRIPTION	PART NO. / REF. NO.	NO. OF PCS/SET	SHAFT DIAMETER STD		HOUSING BORE		LENGTH	WALL THICKNESS
			MINIMUM	MAXIMUM	MINIMUM	MAXIMUM		
YANMAR TS190								
C.R.BEARING								
MAIN BEARING [THIN]								
MAIN BEARING [THICK]								
THRUST WASHER								
CON ROD BUSH								
YANMAR TS230								
C.R.BEARING								
MAIN BEARING [THIN]								
MAIN BEARING [THICK]								
THRUST WASHER								
CON ROD BUSH								
YANMAR TF 55 , 60 , 70								
MAIN BEARING								
C.R.BEARING								
THRUST WASHER								
CON ROD BUSH								
YANMAR TF 75, 80, 85, 90								
MAIN BEARING								
C.R.BEARING								
THRUST WASHER								
CON ROD BUSH								
YANMAR TF 300								
MAIN BEARING								
C.R.BEARING								
THRUST WASHER								
CON ROD BUSH								



AN ISO 9001:2015 Certified Company